

ExoClip™

A BZI PRODUCT



SEISMIC ISOLATION CONNECTORS FOR BUILDING ENVELOPES

A proprietary isolation clip that decouples the building envelope from the primary structure, reducing seismic impact, protecting facade systems, and enabling manufacturer warranties.

ExoClip™ is a substructure connector and isolation clip designed to separate the building facade from the primary structural system. During seismic events or building movement, ExoClip dampens and reduces transferred forces, protecting the envelope and its connections.

Unlike rigid connectors that transmit movement directly into the facade, ExoClip functions like a shock absorber, allowing the structure to move while minimizing impact on the envelope.

This reduction in transferred load can bring facade systems within acceptable performance thresholds, allowing providers to warranty products that might otherwise be excluded.

SPECIFICATIONS

Steel Plate:

A572 Grade 50

HSS:

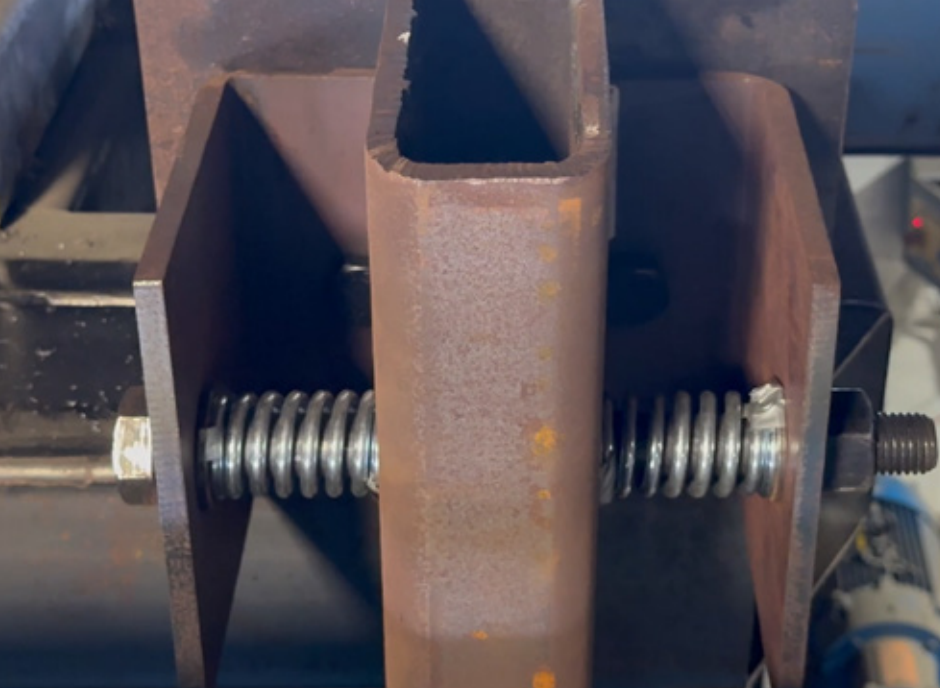
ASTM 500 Grade 50

Threaded Rod:

A307 Grade A

Spring:

Steel Spring with Zinc Finish



Why Specify ExoClip

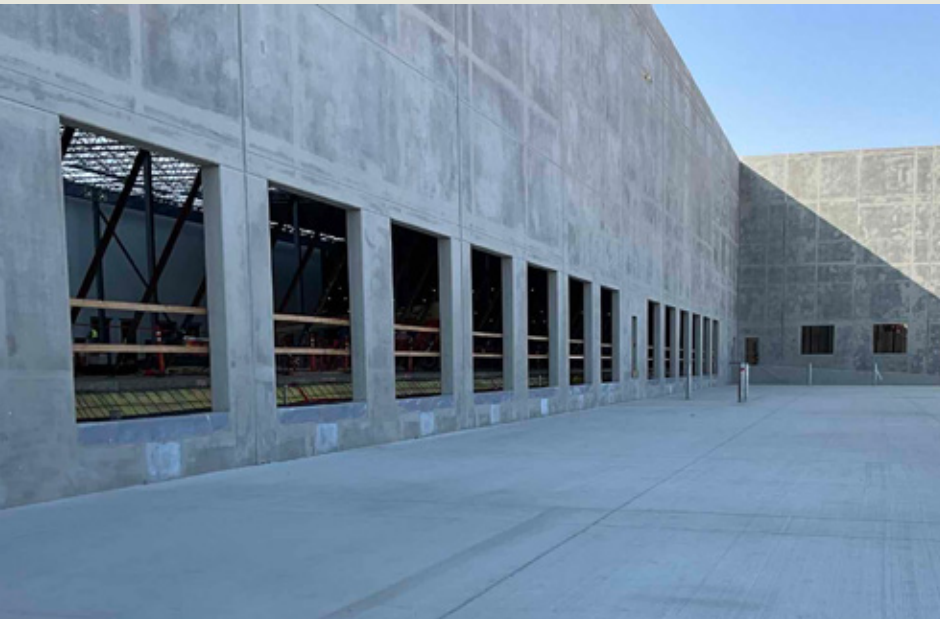
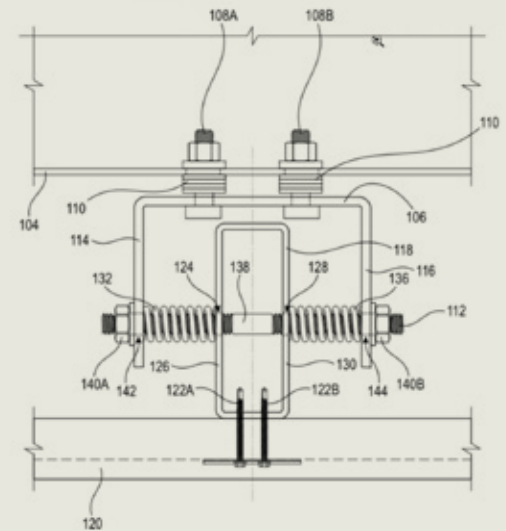
- + Unlock manufacturer warranties
- + Protect the building envelope investment
- + Lower structural and substructure costs
- + Unique in the market

Applications & Use Cases

- + Seismically active regions
- + High-value facade systems
- + Projects requiring manufacturer warranties
- + Industrial, commercial, and mission-critical facilities

Engineered Isolation, Built In

- + Substantially reduces seismic loading compared to rigid connections
- + Dampens transferred forces rather than simply accommodating movement
- + Helps align facade performance with manufacturer warranty requirements
- + Designed for integration into engineered building envelope systems



Ready to Stop the Shake?

VISIT EXOWALL.COM

EMAIL ROBERTHALE@BZI.COM